



Catalogue of gear hydroelectric generator

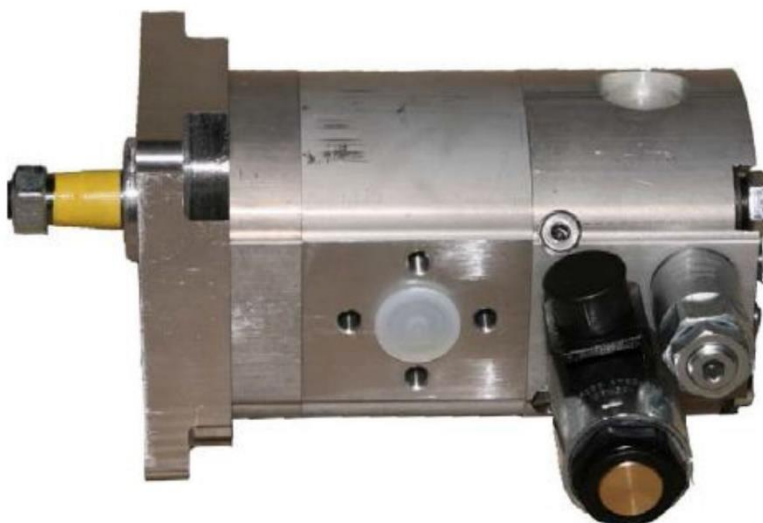
Hydroengines and hydroelectric generators for buses **KAROSA**

Hydroengine HPM011RBIK11.2
Replacement for hydroengine 2SMA11DNA24VDC

Karosa number: 3363521011
Order number: 5801109694

Hydroengine HPM014RBIK11.2
Replacement for hydroengine 2SMA14DNA24VDC

Karosa number: 3363521008
Order number: 5801109695



MARTING s.r.o. (Ltd.), NÁBREŽNÁ 2, SK - 038 61 VRÚTKY, SLOVAKIA
tel.: ++421 43 4281 707-9, fax: ++421 43 4281 706, www.marting.sk
E-mail: marting@marting.sk



Catalogue of gear hydroelectric generator

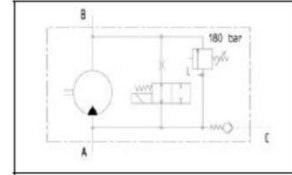
Catalogue of gear hydroelectric generator

HPM011RBIK1I.2

Replacement for 2SMA11DNA24VDC, Karosa number: 3363521011,
Order number: 5801109694

HPM014RBIK1I.2

Replacement for 2SMA14DNA24VDC, Karosa number: 3363521008,
Order number: 5801109695



Technical conditions:

Pressure on outlet of hydroel. generator: - nominal	18 MPa
Hydroengine design: two speed	I. speed $\Delta p = 6-8$ MPa II. speed (limited by secure valve) $\Delta p = 6-8$ MPa
Surroundings temperature	-30 to +60°C
Liquid temperature	-30 to +80°C
Liquid - mineral oil for hydrostatic drives f.e.:	MOGUL OLN 22 TO 46 Shell Tellus 32 Shell Tellus 46 Madit OHHM 46
Operating range of hydraulic oil kinematic viscosity during 40°C	20 - 60 mm ² s ⁻¹
Maximum kinematic viscosity (during start up)	1200 . mm ² s ⁻¹
Filtration efficiency of filter insert	10 - 25 μm
Filtration coefficient β_x :	$\beta_{25} 75$
Working position	arbitrary
Control voltage of coil	24 V - DC
Coil socket (slot)	DIN 43650
Secure valve setting	18 MPa

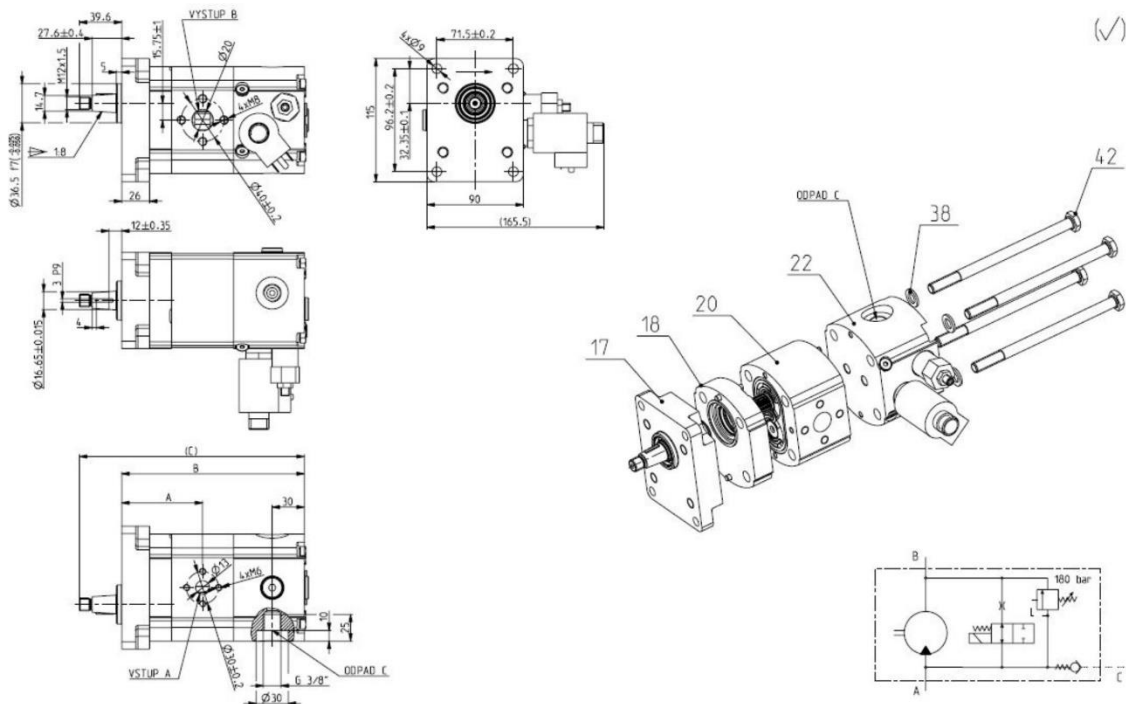
Technical specifications

Signification of gear hydroelectric generator	Nominal geometric capacity** cm ³ / rot.	Rotations 1/min			Nominal pressure MPa	During nominal rotations and nominal pressure	
		Min. *	Max. *	Nominal		input kW	overflow dm ³ /min
HPM011RBIK1I.2	12,8	600	3000	1000	18		28
HPM014RBIK1I.2	16	600	3000	1000	18		35

* Permanent operation on nominal pressure 18 MPa is allowed only in rotations range from 600 to 3000 min⁻¹. Out of this rotations range is allowed max. pressure 14 MPa.

** Applies for working liquid with viscosity of 40 +/- 5 mm² s⁻¹ and temperature 40°C.

MARTING s.r.o. (Ltd.), NÁBREŽNÁ 2, SK - 038 61 VRÚTKY, SLOVAKIA
tel.: ++421 43 4281 707-9, fax: ++421 43 4281 706, www.marting.sk
E-mail: marting@marting.sk



MARTING s.r.o. (Ltd.), NÁBREŽNÁ 2, SK - 038 61 VRÚTKY, SLOVAKIA
 tel.: ++421 43 4281 707-9, fax: ++421 43 4281 706, www.marting.sk
 E-mail: marting@marting.sk